

TECHNICAL DATA SHEET

RADIAL FAN nr. AFGG-25_02



G&G filtration CZ, s.r.o.

A Hrubínova 1903/9, 66451 Šlapanice, CZ
 IČ 05226953 IČ DPH CZ05226953
 E info@ggf.cz W www.ggf.cz

ITEM1

Document printed by Aeraulica - Dimensions and performances can be changed without prior notice

Type and characteristics of the requested machine				performance on		Outlet			
Flow rate	1000 [m3/h]	Capacity (Normal)				932 [Nm3/h]			
Total pressure	2500 [Pa]	Static pressure							
Working fluid temperature	20 [°C]	Fluid specific weight				1.204 [Kg/m3]			
Installation altitude	0 asl [m]	Specific weight std (20 [°C], 0 asl [m])				1.204 [Kg/m3]			
Suggested model and effective characteristics				performance on		Outlet			
Model	VI 400/2-I	Execution	E04	Installation Type	A (free inlet and outlet)				
Fluid specific weight	1.204	1.204 [Kg/m3]		Revolution fan speed		2920 [rpm]			
Total pressure	2673	2673 [Pa]		Orientation		RD 0			
Static pressure	2624	2624 [Pa]		Sound power LwA		97.31 [dB(A)]			
Flow rate	1000	1000 [m3/h]		Sound pressure at mt.1.5 1/2 sf in open field		84.01 [dB(A)]			
Capacity (Normal)	932	932 [Nm3/h]		Pipings	s>3mm = +3dB; 1mm<s<3mm = +4,5dB; s<1mm = +6dB				
Power dem. at shaft	1.203	1.203 [kW]		Fan efficiency	Outlet	61.74	%		
Motor power demand	1.203	1.203 [kW]							
Characteristics of chosen motor				Motor efficiency IEC 60034-30		IE3	PD ² impeller	0.7 kgm ²	
Code	090L02-50/std3	shape	B3	Efficiency	85.9	86.8	86.1	PD ² needed	0.7 kgm ²
Rated power	2.2 [kW]	n° poles	2	rpm	2910			PD ² motor	2 kgm ²
Load					100%	75%	50%		
ErP 2009/125/CE Regulament (UE) N. 327/2011				Notes					
Efficiency grade	64			N	77.6	Total efficiency	69.95 %		
Impeller type	backward blades	Type of test	B/total	Flow rate	2140.25 [m3/h]	Pressure	1973 [Pa]		
NOTE				Performance on Outlet VI 400/2-I - E04 - D=0.4[m] - ρ=1.204[kg/m ³] - T=20[°C] - 0[m]a.s.l.					
Rpm Limit	<=60 °C: 5000 Rpm								
values of the noise of fan obtained in ambient not reverberant with inlet and outlet ducts fully insulated									

TECHNICAL DATA SHEET

RADIAL FAN nr. AFGG-25_02



G&G filtration CZ, s.r.o.

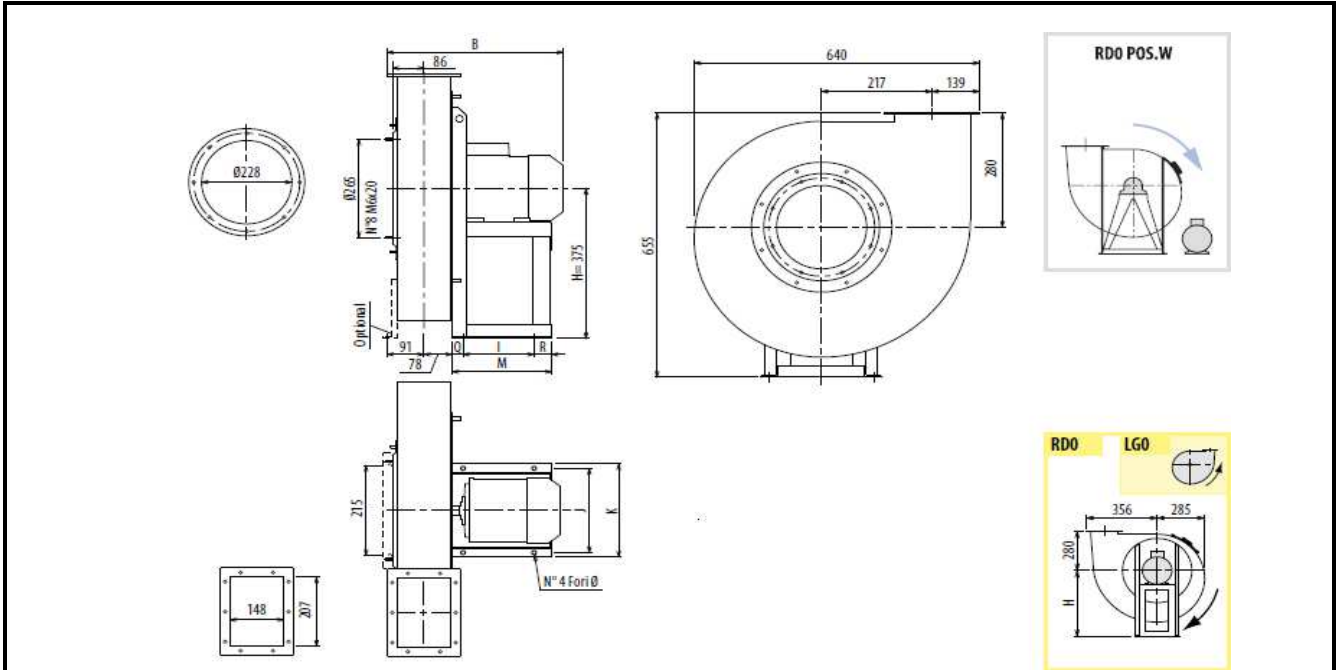
A Hrubínova 1903/9, 66451 Šlapanice, CZ

IČ 05226953 IČ DPH CZ05226953

E info@ggf.cz W www.ggf.cz

ITEM1

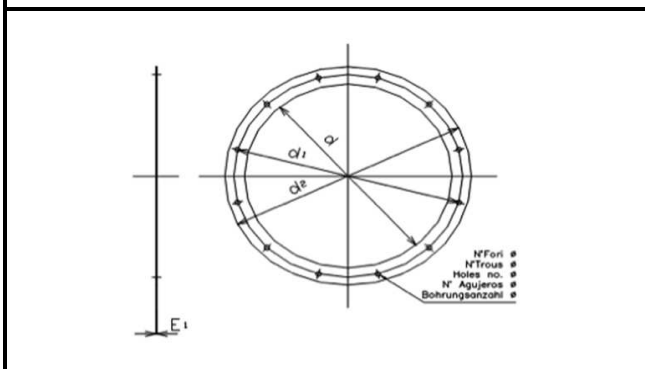
Document printed by Aeraulica - Dimensions and performances can be changed without prior notice



Indicative measures in the standard configuration. For detailed information contact your reference.

Indicative value of weight including standard motor.

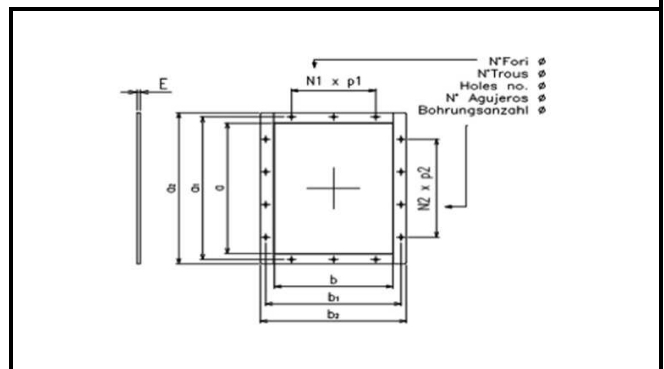
B	I	H	H1	H2	J	K	M	Q	R	Φ	PD2	kg
468	133	375	280	375	234	260	251	58	60	10	0,7	50



Cod	dxn°	d1	d2	Φ	E1
0228 A	228x8	265	298	8	3

--	--	--	--	--	--

--	--	--	--	--	--



Cod	axb	a1	b1	a2	b2
0207x0148	207x148	241	182	277	218

N1xp	N2xp	n°	Φ	E
1x112	1x112	8	12	4

--	--	--	--	--