

# TECHNICAL DATA SHEET

## RADIAL FAN nr. AFGG-25\_13



G&G filtration CZ, s.r.o.

A Hrubínova 1903/9, 66451 Šlapanice, CZ  
 IČ 05226953 IČ DPH CZ05226953  
 E [info@ggf.cz](mailto:info@ggf.cz) W [www.ggf.cz](http://www.ggf.cz)

**ITEM1**

Document printed by Aeraulica - Dimensions and performances can be changed without prior notice

Type and characteristics of the requested machine				performance on		Outlet	
Flow rate	8500 [m3/h]	Capacity (Normal)				7920 [Nm3/h]	
Total pressure	2500 [Pa]	Static pressure					
Working fluid temperature	20 [°C]	Fluid specific weight				1.204 [Kg/m3]	
Installation altitude	0 asl [m]	Specific weight std (20 [°C], 0 asl [m])				1.204 [Kg/m3]	
Suggested model and effective characteristics				performance on		Outlet	
Model	RL 450/2-II	Execution	E04	Installation Type	A (free inlet and outlet)		
Fluid specific weight	1.204	1.204 [Kg/m3]		Revolution fan speed		2955 [rpm]	
Total pressure	2733	2733 [Pa]		Orientation		RD 0	
Static pressure	2575	2575 [Pa]		Sound power LwA		105.09 [dB(A)]	
Flow rate	8500	8500 [m3/h]		Sound pressure at mt.1.5 1/2 sf in open field		91.79 [dB(A)]	
Capacity (Normal)	7920	7920 [Nm3/h]		Pipings	s>3mm = +3dB; 1mm<s<3mm = +4,5dB; s<1mm = +6dB		
Power dem. at shaft	8.387	8.387 [kW]		Fan efficiency	Outlet	76.94	%
Motor power demand	8.387	8.387 [kW]					
Characteristics of chosen motor				Motor efficiency IEC 60034-30		IE3	
Code	160MA2-50/std3	shape	B3	Efficiency	91.2	91	89.5
Rated power	11.0 [kW]	n° poles	2	rpm	2955	Load	100% 75% 50%
						PD <sup>2</sup> impeller	1.9 kgm <sup>2</sup>
						PD <sup>2</sup> needed	1.9 kgm <sup>2</sup>
						PD <sup>2</sup> motor	14.4 kgm <sup>2</sup>
ErP 2009/125/CE Regulament (UE) N. 327/2011				Notes			
Efficiency grade	64		N	70.5	Total efficiency	70.21	%
Impeller type	backward blades	Type of test	B/total	Flow rate	8881.12 [m3/h]	Pressure	2502 [Pa]
<b>NOTE</b>				Performance on Outlet RL 450/2-II - E04 - D=0.45[m] - ρ=1.204[kg/m <sup>3</sup> ] - T=20[°C] - 0[m]a.s.l.			
Rpm Limit	<=60 °C: 3000 Rpm						
values of the noise of fan obtained in ambient not reverberant with inlet and outlet ducts fully insulated							

# TECHNICAL DATA SHEET

## RADIAL FAN nr. AFGG-25\_13



G&G filtration CZ, s.r.o.

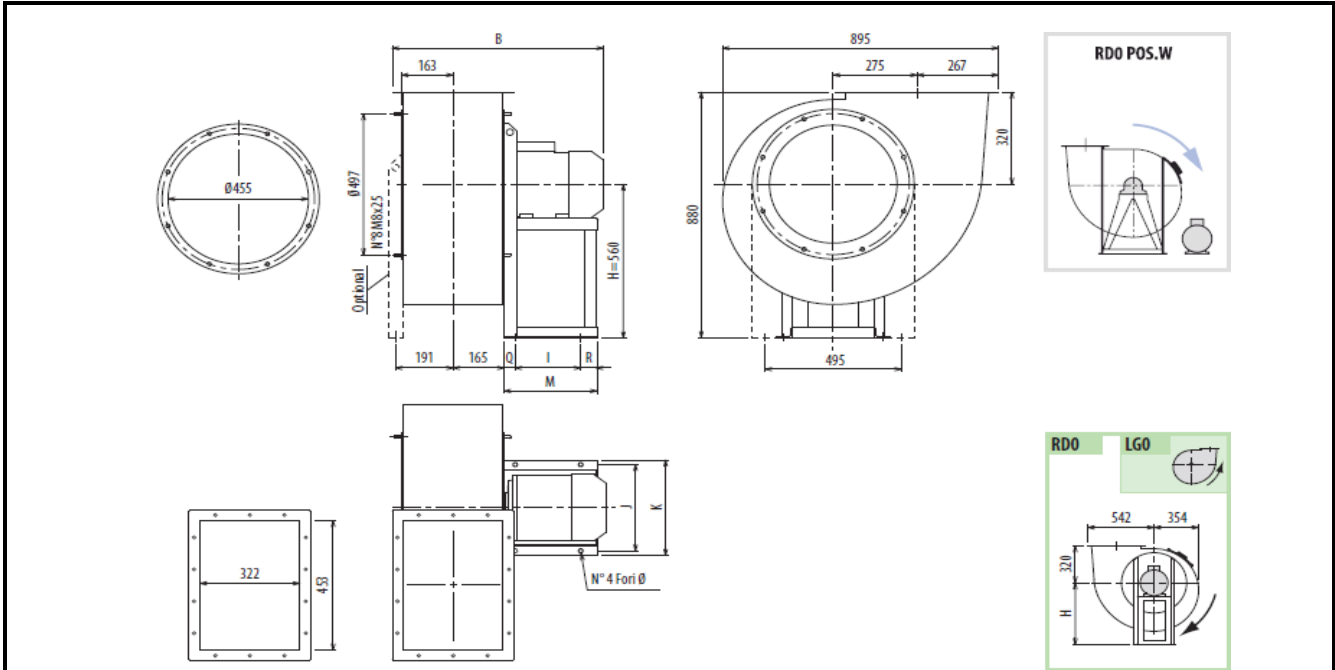
A Hrubínova 1903/9, 66451 Šlapanice, CZ

IČ 05226953 IČ DPH CZ05226953

E [info@ggf.cz](mailto:info@ggf.cz) W [www.ggf.cz](http://www.ggf.cz)

### ITEM1

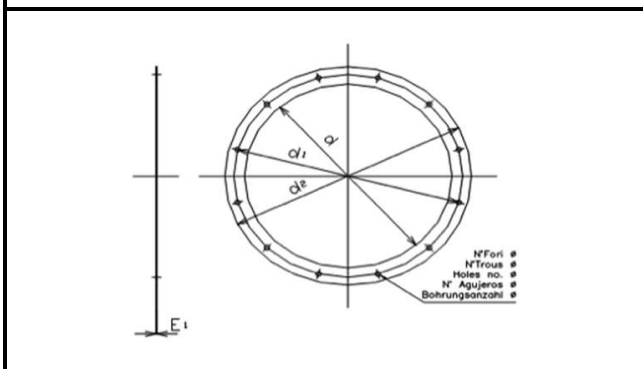
Document printed by Aeraulica - Dimensions and performances can be changed without prior notice



Indicative measures in the standard configuration. For detailed information contact your reference.

Indicative value of weight including standard motor.

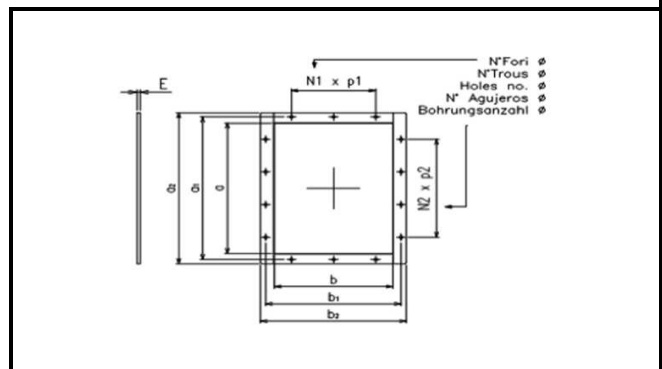
B	I	H	H1	H2	J	K	M	Q	R	$\Phi$	PD2	kg
860	337	560	320	560	395	440	446	55	54	14	1,9	161



Cod	dxn°	d1	d2	$\Phi$	E1
0455 B	455x8	497	535	12	4

--	--	--	--	--	--

--	--	--	--	--	--



Cod	axb	a1	b1	a2	b2
0453x0322	453x322	497	366	533	402

N1xp	N2xp	n°	$\Phi$	E
2x125	3x125	14	12	4

--	--	--	--	--