

TECHNICAL DATA SHEET

RADIAL FAN nr. AFGG-35_22



G&G filtration CZ, s.r.o.

A Hrubínova 1903/9, 66451 Šlapanice, CZ
 IČ 05226953 IČ DPH CZ05226953
 E info@ggf.cz W www.ggf.cz

ITEM1

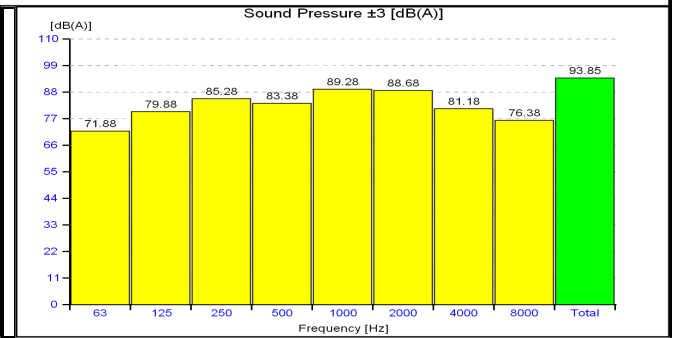
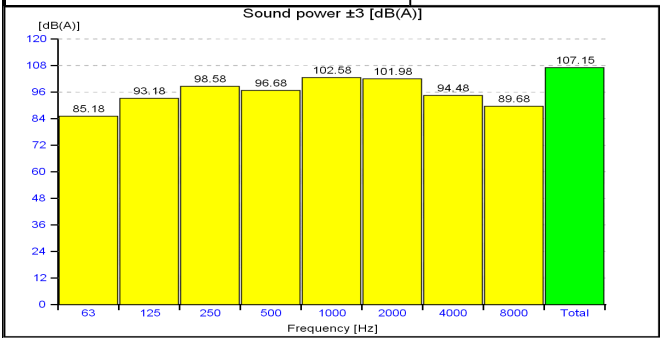
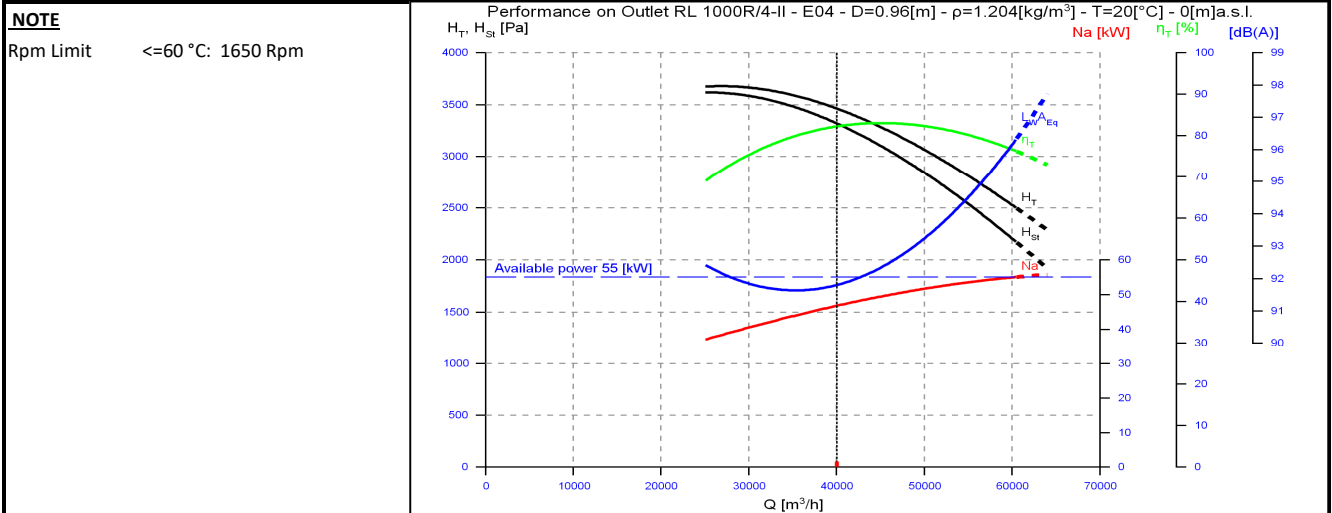
Document printed by Aeraulica - Dimensions and performances can be changed without prior notice

Type and characteristics of the requested machine		performance on		Outlet
Flow rate	40000 [m3/h]	Capacity (Normal)		37271 [Nm3/h]
Total pressure	3550 [Pa]	Static pressure		
Working fluid temperature	20 [°C]	Fluid specific weight		1.204 [Kg/m3]
Installation altitude	0 asl [m]	Specific weight std (20 [°C], 0 asl [m])		1.204 [Kg/m3]

Suggested model and effective characteristics				performance on		Outlet
Model	RL 1000R/4-II	Execution	E04	Installation Type	A (free inlet and outlet)	
Fluid specific weight	1.204		1.204 [Kg/m3]	Revolution fan speed		1475 [rpm]
Total pressure	3461		3461 [Pa]	Orientation		RD 0
Static pressure	3318		3318 [Pa]	Sound power LwA		107.15 [dB(A)]
Flow rate	40000		40000 [m3/h]	Sound pressure at mt.1.5 1/2 sf in open field		93.85 [dB(A)]
Capacity (Normal)	37271		37271 [Nm3/h]	Pipings	s>3mm = +3dB; 1mm<s<3mm = +4,5dB ; s<1mm = +6dB	
Power dem. at shaft	46.781		46.781 [kW]	Fan efficiency	Outlet	82.21 %
Motor power demand	46.781		46.781 [kW]			

Characteristics of chosen motor				Motor efficiency IEC 60034-30			PD ² impeller	70.0	kgm ²	
Code	250M04-50/std3P	shape	B3	Efficiency	94.6	95.1	95	PD ² needed	69.34	kgm ²
Rated power	55.0 [kW]	n° poles	4	rpm	1482			PD ² motor	225	kgm ²

ErP 2009/125/CE Regulament (UE) N. 327/2011		Notes	
Efficiency grade	64	N	77.2
Impeller type	backward blades	Type of test	B/total
		Flow rate	45065.6 [m3/h]
		Pressure	3098 [Pa]
		Total efficiency	78.92 %



values of the noise of fan obtained in ambient not reverberant with inlet and outlet ducts fully insulated

TECHNICAL DATA SHEET

RADIAL FAN nr. AFGG-35_22



G&G filtration CZ, s.r.o.

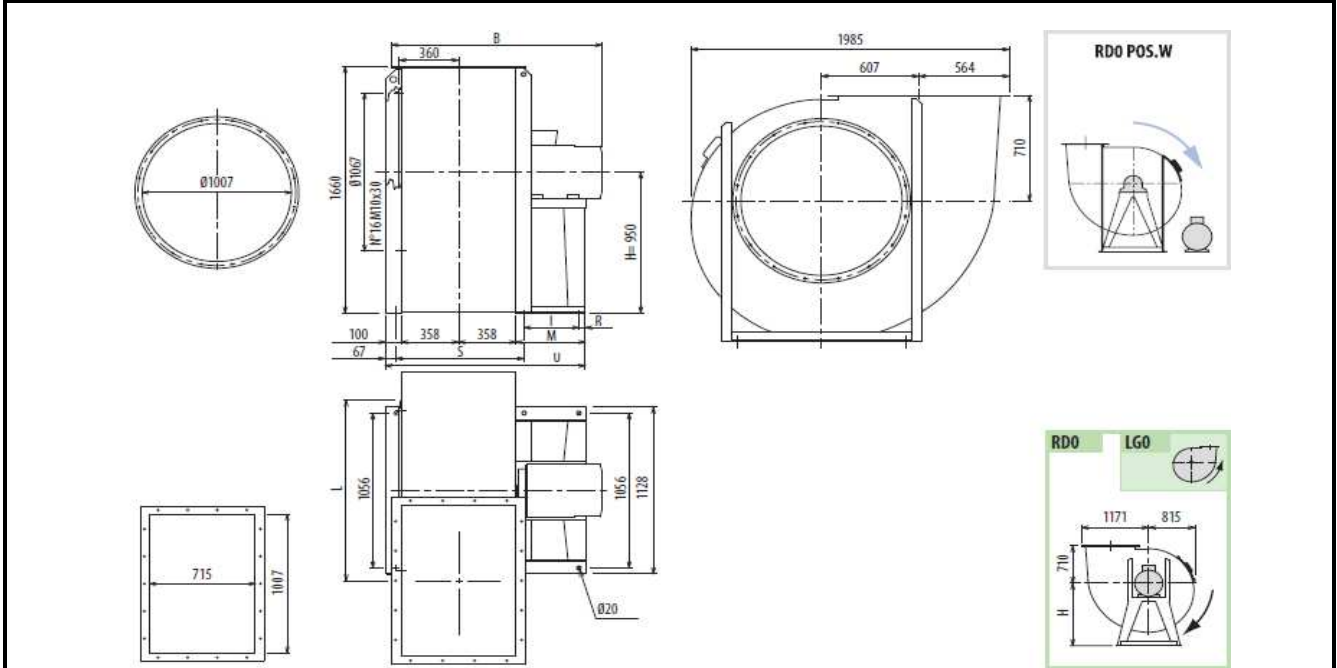
A Hrubínova 1903/9, 66451 Šlapanice, CZ

IČ 05226953 IČ DPH CZ05226953

E info@ggf.cz W www.ggf.cz

ITEM1

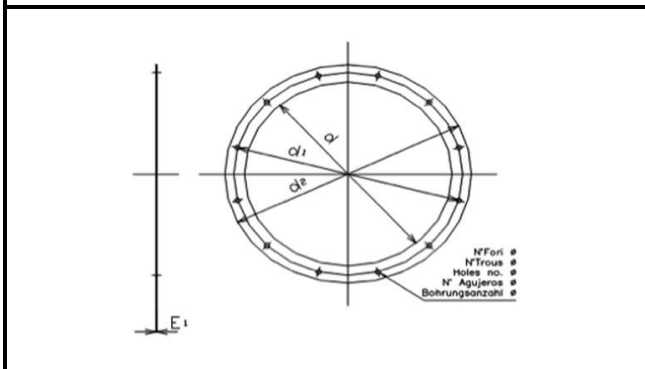
Document printed by Aeraulica - Dimensions and performances can be changed without prior notice



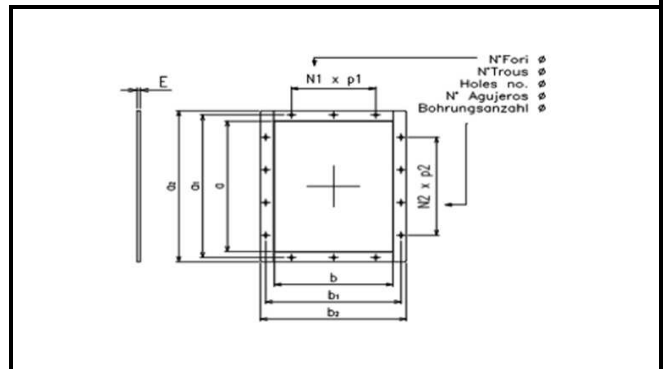
Indicative measures in the standard configuration. For detailed information contact your reference.

Indicative value of weight including standard motor.

B	I	H	H1	H2	L	M	R	S	U	PD2	kg
1632	500	950	710	1180	1255	600	45	803	1415	70	1105



Cod	dxn°	d1	d2	Φ	E1
1007 B	1007x16	1067	1107	14	6



Cod	axb	a1	b1	a2	b2
1007x0715	1007x715	1077	785	1127	835

N1xp	N2xp	n°	Φ	E
3x200	4x200	18	14	8